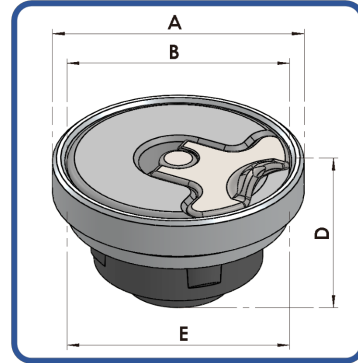




# Aero 200

**A200 Fuel Filler Cap, Non-Locking, Silver, Non-Vented,  
Weld-On Ring.**

**Part Number: OA-ZA-010 (A2NS)**



## Options:

### Part Description

A200 Fuel Filler Cap, Non-Locking, Black, Non-Vented, Weld-On Ring

### Part Number

OA-ZA-011 (A2NSB)

## Specifications:

### Fixing Arrangement:

### Applications:

### Compatibilities:

### Finish:

### Weight:

### Supplied With:

Weld-On or Adhesive

Fuel, Oil & Water Tanks

Compatible with Jet Fuel 100LL

Operation Temperature -40°C to +80°C

Ring Natural & Cap Anodised Clear (Silver)

75.0 grams

Cap

Weld-On Ring

## Materials:

### Centre Cap:

### Flange Neck:

### O-Ring:

### Saddle:

### Lever & Centre Pin:

### Washer & Nyloc Nut:

Aluminium Alloy 6063 Forging

Aluminium Alloy 6082/T6 Machined

Viton A (FPM or FKM)

Acetal POM Kepital F20-03

Stainless Steel 303/304

Stainless Steel A2 Type

## Dimensions:

### Outside Diameter A:

### Centre Diameter B:

### Bolts Circle Diameter C:

### Depth D:

### Spigot E:

### Neck Diameter:

### Flange Thickness:

52.0mm

47.0mm

N/A

30.0mm

Ø46.0mm (Ø47.00 Cut-Out)

N/A

N/A

## Optional('s):

Lanyard

Metal Saddle

Hard Anodising

**Fluid Containment – When It Matters**

Tell: +4420 8594 7990 / Fax: +4420 8594 7989 / [www.newton-equipment.com](http://www.newton-equipment.com) / [info@newton-equipment.com](mailto:info@newton-equipment.com)

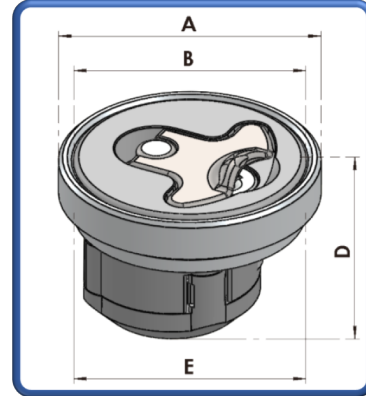
Registered in England. 6 Orwell Close/ Fairview Ind. Park/ Rainham/ Essex/ RM13 8UB



# Aero 200

**A200 Fuel Filler Cap, Locking, Non-Vented, Silver,  
Weld-On Ring**

**Part Number: OA-ZA-041 (A2NL)**



## Options:

### Part Description

A200 Fuel Filler Cap, Locking, Non-Vented, Black, Weld-On Ring

### Part Number

OA-ZA-039 (A2NLB)

## Specifications:

### Fixing Arrangement:

### Applications:

### Compatibilities:

### Finish:

### Weight:

### Supplied With:

Weld-On or Adhesive

Fuel, Oil & Water Tanks

Compatible with Jet Fuel 100LL

Operation Temperature -40°C to +80°C

Ring Natural & Cap Anodised Clear (Silver)

80.0 grams

Cap

Weld-On Ring

## Materials:

### Centre Cap:

### Flange Neck:

### O-Ring:

### Saddle:

### Lever & Centre Pin:

### Washer & Nyloc Nut:

Aluminium Alloy 6068/T2

Aluminium Alloy 6082/T6 Machined

Viton A (FPM or FKM)

Acetal POM Kepital F20-03

Stainless Steel 303/304

Stainless Steel A2 Type

## Dimensions:

### Outside Diameter A:

### Centre Diameter B:

### Bolts Circle Diameter C:

### Depth D:

### Spigot E:

### Neck Diameter:

### Flange Thickness:

52.0mm

47.0mm

N/A

32.0mm

Ø46.0mm (Ø47.00 Cut-Out)

N/A

N/A

## Optional('s):

Lanyard

Metal Saddle

Hard Anodising

**Fluid Containment – When It Matters**

Tell: +4420 8594 7990 / Fax: +4420 8594 7989 / [www.newton-equipment.com](http://www.newton-equipment.com) / [info@newton-equipment.com](mailto:info@newton-equipment.com)

Registered in England. 6 Orwell Close/ Fairview Ind. Park/ Rainham/ Essex/ RM13 8UB