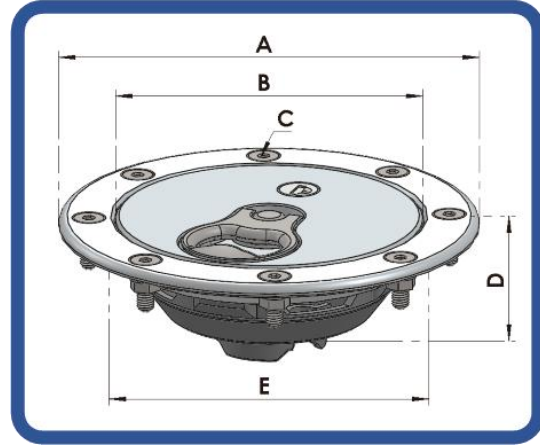




# Aero 600

**A600 Fuel Filler Cap, Non-Vented, Locking, Silver, Flange.**

**Part Number: OE-ZA-003 (A68L)**



## Options:

### Part Description

A500 Fuel Filler Cap, Non-Vented, Non-Locking, Silver, Flange:

### Part Number

OE-ZA-001 (A68S)

## Specifications:

### Fixing Arrangement:

### Applications:

### Compatibilities:

### Finish:

### Weight:

### Supplied With:

8 x M05 CSK Bolts

Fuel, Oil & Water Tanks

Compatible with Jet Fuel 100LL

Operation Temperature -40°C to +80°C

Anodised

200.0 grams

Cap

Flange

Screw Pack (CSK Bolts, Washers & Nyloc Nuts)

Gasket

## Materials:

### Centre Cap:

### O-Ring:

### Saddle:

### Lever & Centre Pin:

### Washer & Nyloc Nut:

### Gasket:

Aluminium Alloy 6082/T6

Viton A (FPM or FKM)

Acetal POM Kepital F20-03

Stainless Steel 303/304

Stainless Steel A2 Type

Neoprene Bonded Cork (NBR)

## Dimensions:

### Outside Diameter A:

### Centre Diameter B:

### Bolts Circle Diameter C:

### Depth D:

### Spigot E:

### Neck Diameter:

### Flange Thickness:

126.0mm

92.0mm

108.0mm

40.0mm (Adjustable)

98.6 (Ø100 Cut-Out)

N/A

3.25mm

## Optional('s):

Lanyard

Hard Anodising

Viton (FPM) Gasket

***Fluid Containment – When It Matters***

Tell: +4420 8594 7990 / Fax: +4420 8594 7989 / [www.newton-equipment.com](http://www.newton-equipment.com) / [info@newton-equipment.com](mailto:info@newton-equipment.com)

Registered in England. 6 Orwell Close/ Fairview Ind. Park/ Rainham/ Essex/ RM13 8UB