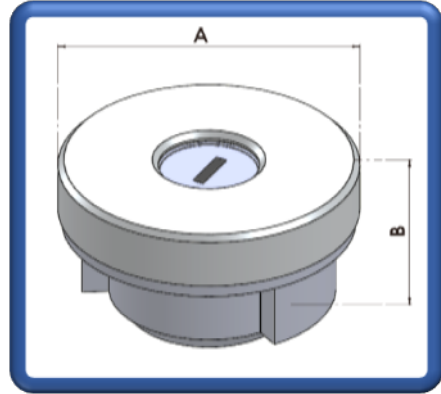




# Zero Range

## Z200 Fuel Filler Cap, Key Action, Locking, Silver, Non-Vented. Part Number: OG-ZA-001 (Z2L)



### Specifications:

|                     |                                      |
|---------------------|--------------------------------------|
| Options:            | N/A                                  |
| Fixing Arrangement: | Flange Necks                         |
| Applications:       | Fuel, Oil & Water Tanks              |
| Compatibilities:    | Operation Temperature -40°C to +80°C |
| Finish:             | Anodised                             |
| Weight:             | 75.0 grams                           |

### Materials:

|              |                |
|--------------|----------------|
| Centre Cap:  | Aluminium LM25 |
| Gasket Seal: | NBR            |
| Saddle:      | Zinc           |
| Top Centre:  | Nylon Plastic  |

### Dimensions:

|                  |         |
|------------------|---------|
| Diameter A:      | 132.0mm |
| Overall Depth B: | 30.0mm  |

### Associated Parts:

Flange Neck

**Fluid Containment – When It Matters**

Tell: +4420 8594 7990 / Fax: +4420 8594 7989 / [www.newton-equipment.com](http://www.newton-equipment.com) / [info@newton-equipment.com](mailto:info@newton-equipment.com)  
Registered in England. 6 Orwell Close/ Fairview Ind. Park/ Rainham/ Essex/ RM13 8UB