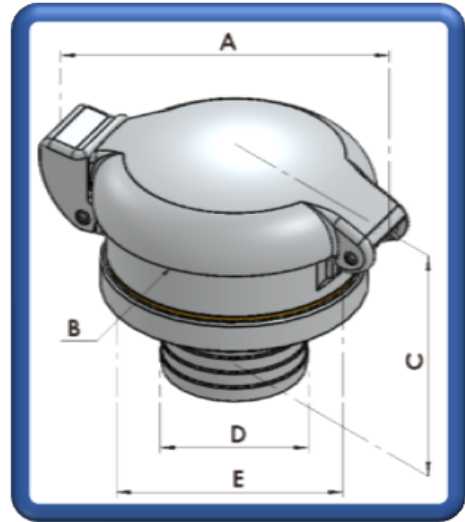




Classic C300

**Classic Bus 3.0" Filler Cap, Pull Lever Action, Non-Locking,
Ø51.0 Integral Neck.
Part Number: OL-ZA-006 (C30LD)**



Options:

Part Description

Classic 3.0" Filler Cap, Pull Lever Action, Ø51.0 Integral Neck, Locking

Part Number

OL-ZA-002 (C30DN)

Specifications:

Options:

N/A

Fixing Arrangement:

M72 Nut Ring (Screwed in from the bottom)

Applications:

Fuel, Oil, AdBlue & Water Tanks

Compatibilities:

Operation Temperature -40°C to +80°C

Finish:

Natural Polished

Weight:

270 grams

Materials:

Centre Cap:

Aluminium LM25

Seal:

Viton A or Fibre Gasket (Optional)

Dimensions:

Overall Length A:

132.0mm

Overall Width B:

100.0mm

Overall Height C:

48.0mm

Neck Diameter D:

Ø51.0mm

Connection E:

M72 x 1.5 Thread

Filling Aperture:

Ø52.0mm

Associated Parts:

Locking Insert

Fluid Containment – When It Matters

Tell: +4420 8594 7990 / Fax: +4420 8594 7989 / www.newton-equipment.com / info@newton-equipment.com
Registered in England. 6 Orwell Close/ Fairview Ind. Park/ Rainham/ Essex/ RM13 8UB